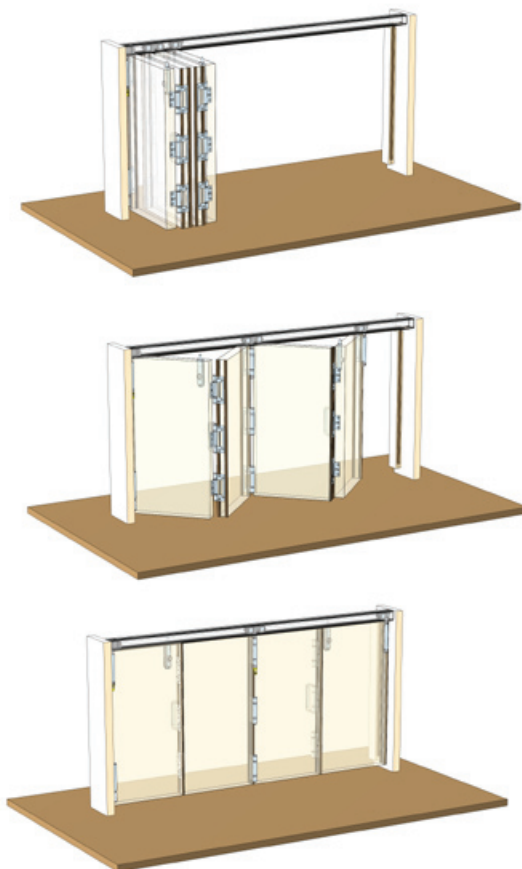


NEW!

# E2i

## NO SILL INTERNAL FOLDING HARDWARE SYSTEM



### E2i specifications

<b>max opening</b>	26'
<b>max panel weight</b>	90lb
<b>max panel height</b>	118"
<b>max panel width</b>	3'3" *
<b>min panel thickness</b>	1 3/8"
<b>max number of panels</b>	8 (4 each direction)

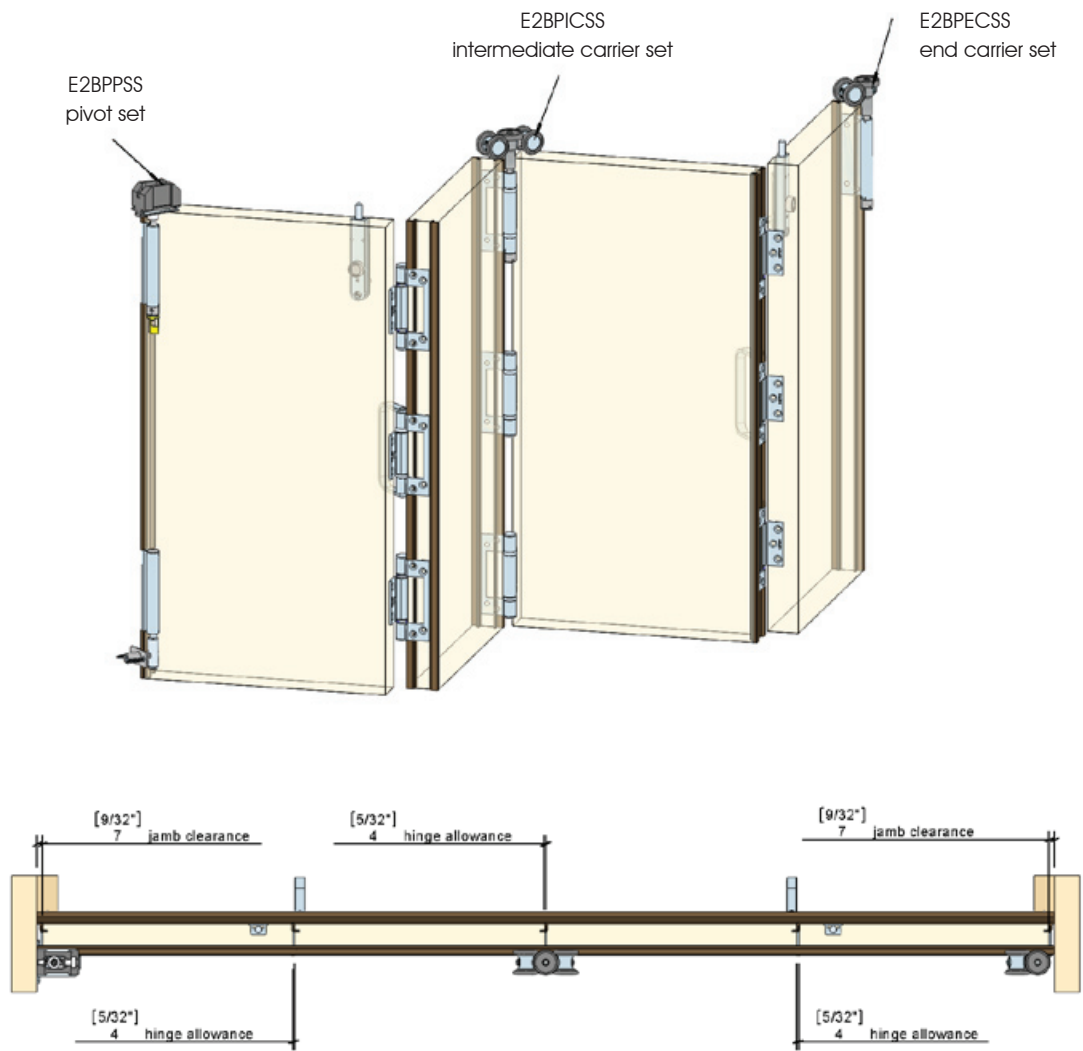
\* 3 and 4 panel systems may require a specific operating sequence at the max panel width.

The latest innovation from Centor Architectural, E2i internal bifold system without a bottom sill is based on Centor's standard E2 hardware system and uses Centor's proven bifold window technology. For internal applications only, it is designed for seamless transitions between rooms and internal spaces. All the benefits of the versatile E2 system are preserved.

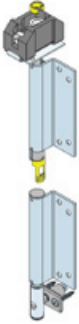
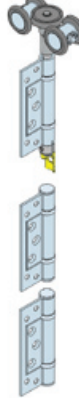

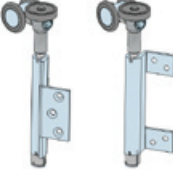
E2i features include:

- Centor exclusive laterally adjustable bottom pivot
- All stainless steel construction
- No need for costly tile and concrete cutting
- Complete horizontal and vertical adjustment

**ARCHITECTURAL DETAIL**



**E2i COMPONENTS**

<p>E2BPPSS pivot set, stainless steel</p> 	<p>E2BPICSS intermediate carrier set, stainless steel</p> 	<p>E2BPECSS end carrier set, stainless steel</p> 	<p>E2BPMCSS meeting carrier set, stainless steel</p> 
---	---	--	--