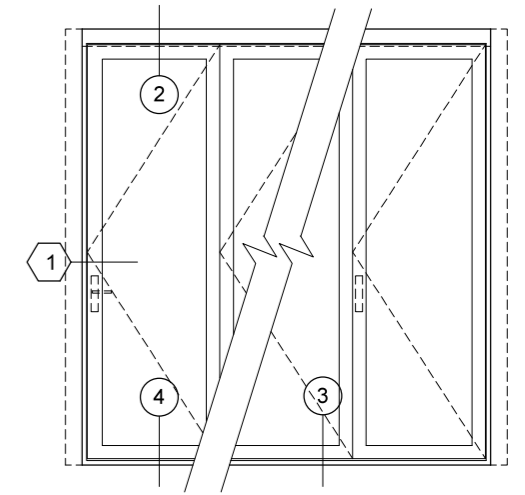
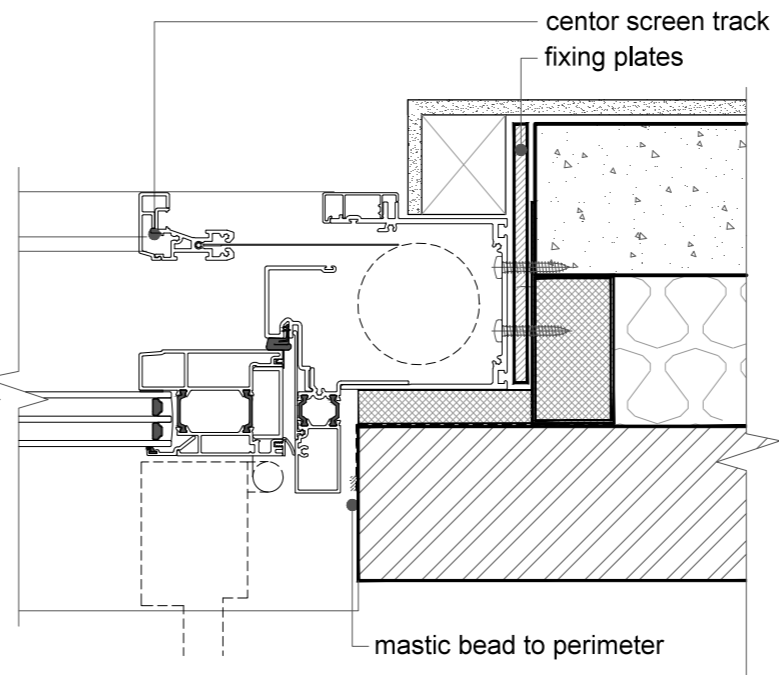


do not fix into screen box due to risk of damage to screen/blind inside



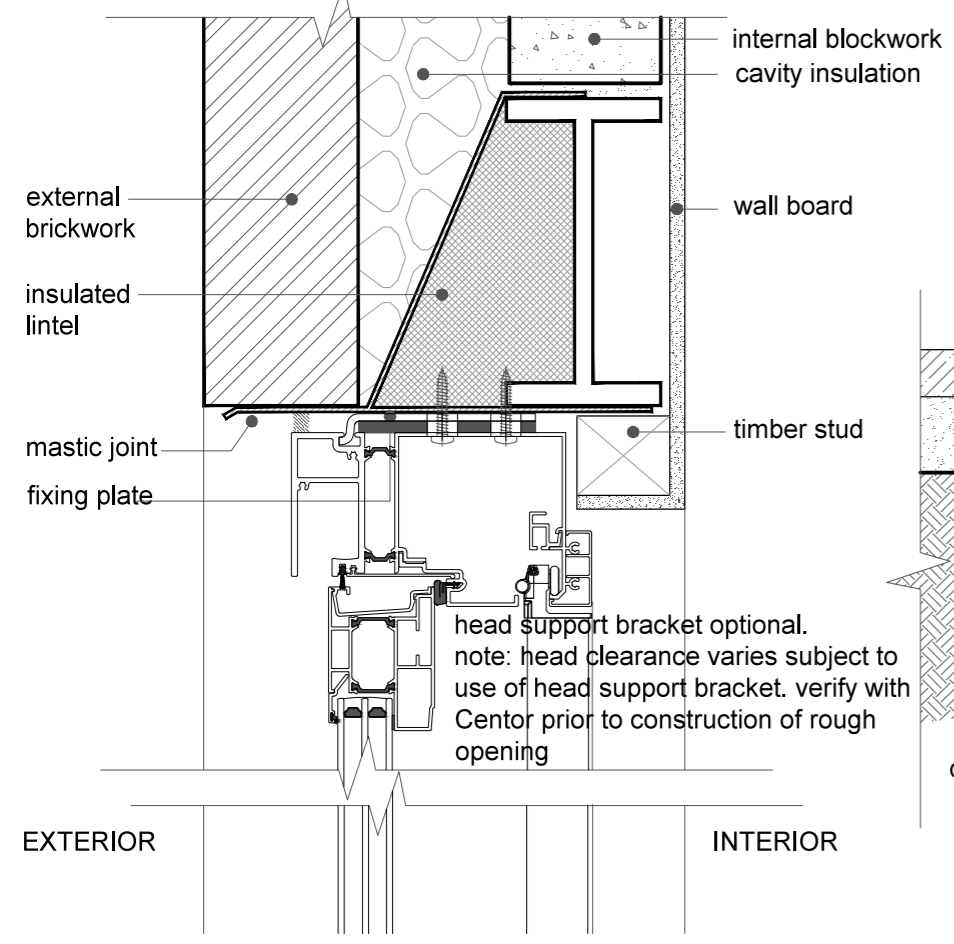
elevation key

1:50

	head fixing	
	through carrier channel	through head bracket
head clearance	10mm	25mm
sill clearance	10mm	10mm
jamb clearance	10mm	10mm

1 jamb detail

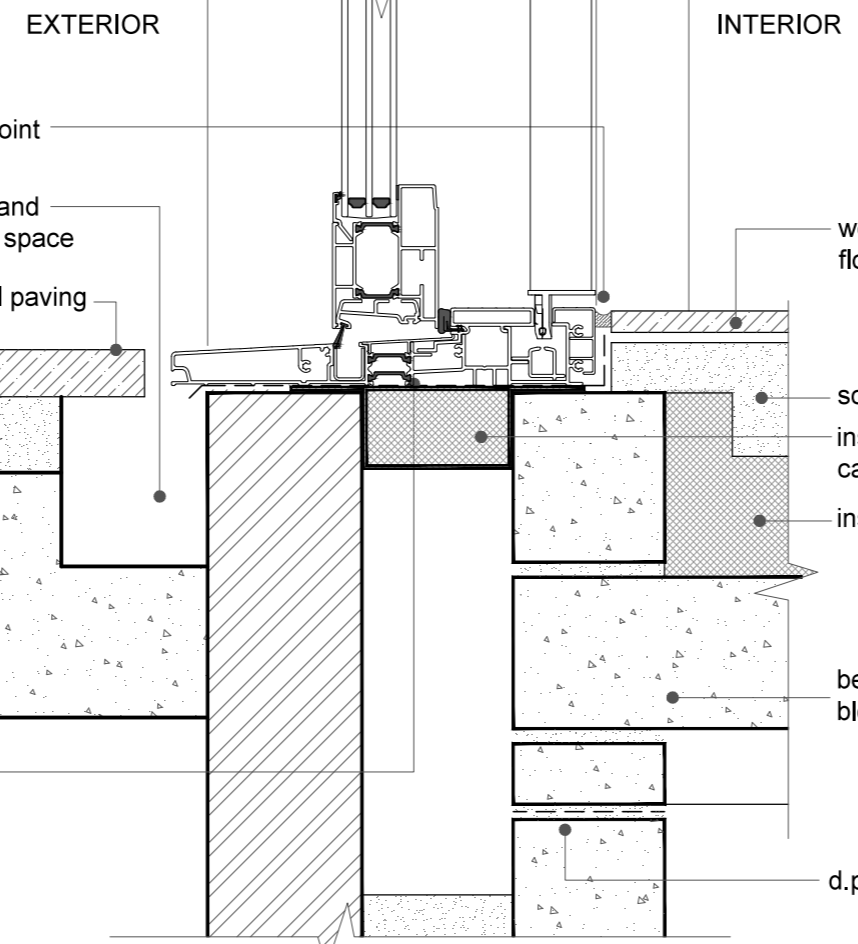
1:5



2 head detail - steel lintel

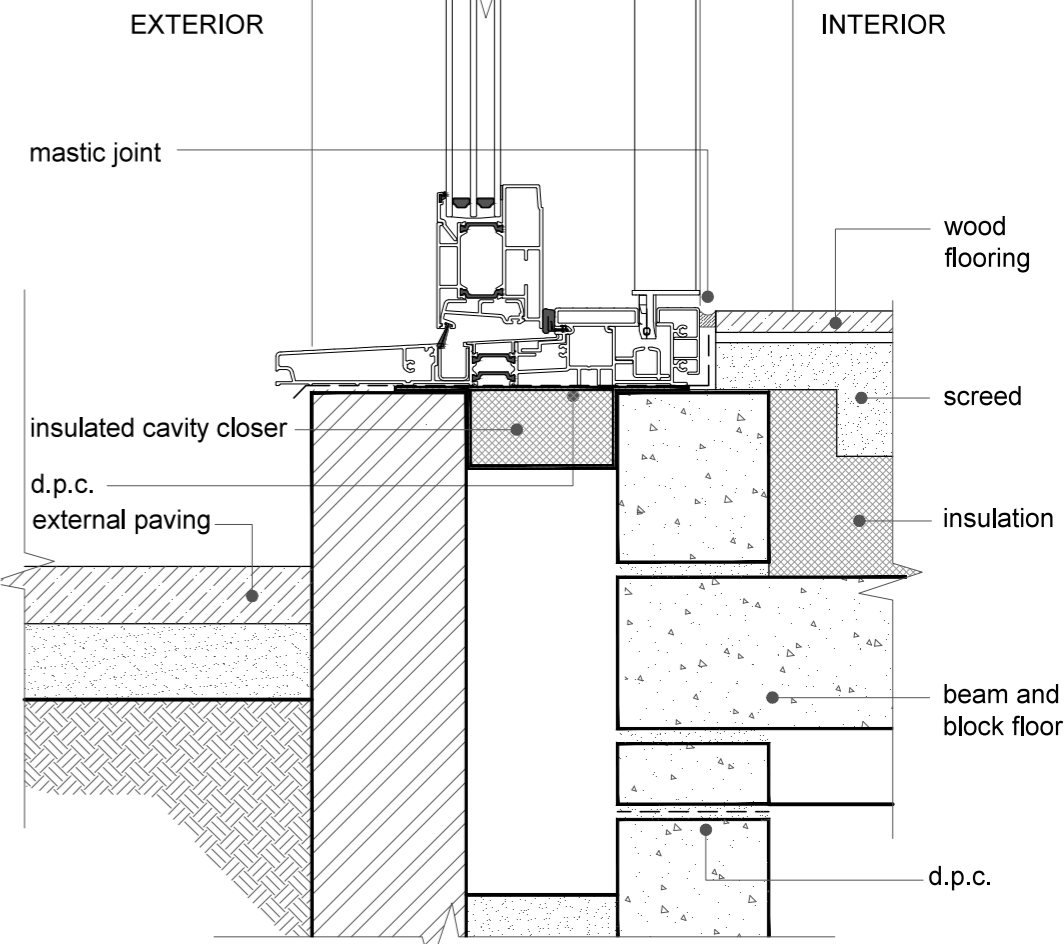
1:5

Structural lintels should be fabricated and installed in accordance with a certified engineer's specifications. Steel lintels are strongly recommended for openings wider than 3.6M. For further information on lintel design refer to Centor Engineering Guide.



3 sill detail - level paving

1:5



4 sill detail - step down

1:5

typical rough opening clearances